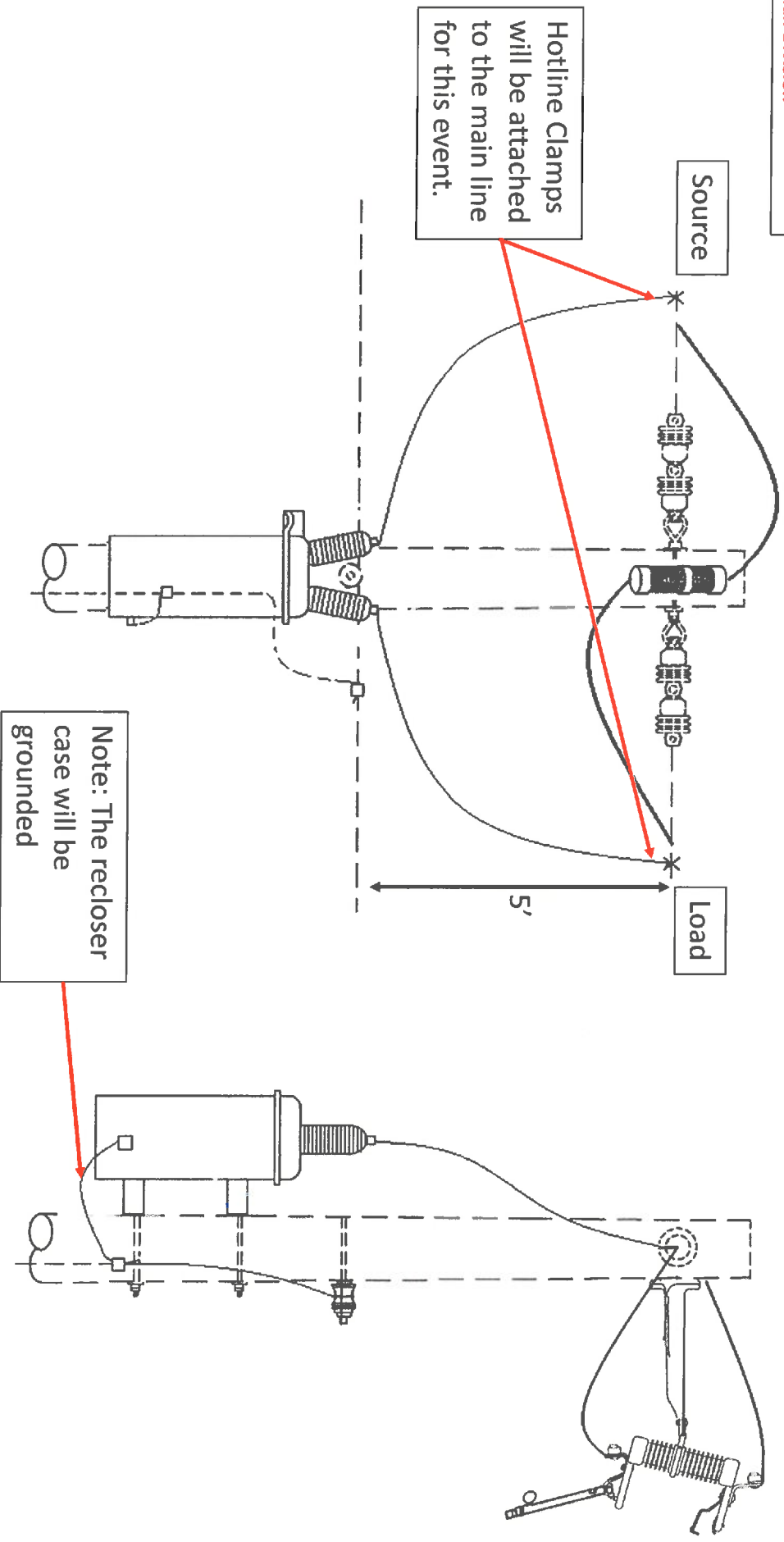


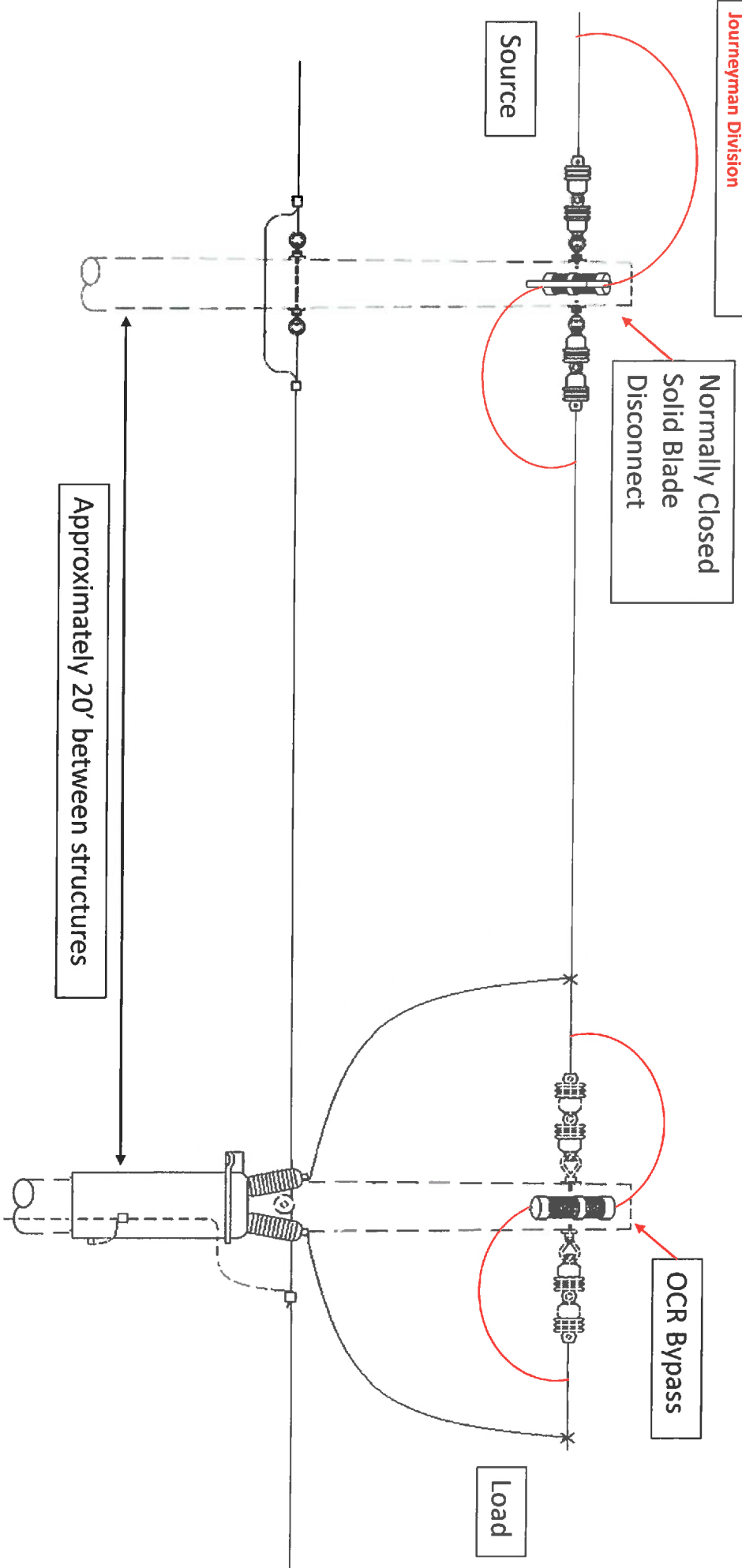
OCR & Bell Change-Out
Journeyman Division



Hotline Clamps will be attached to the main line for this event.

Note: The recloser case will be grounded

OCR & Bell Change-Out
Journeyman Division



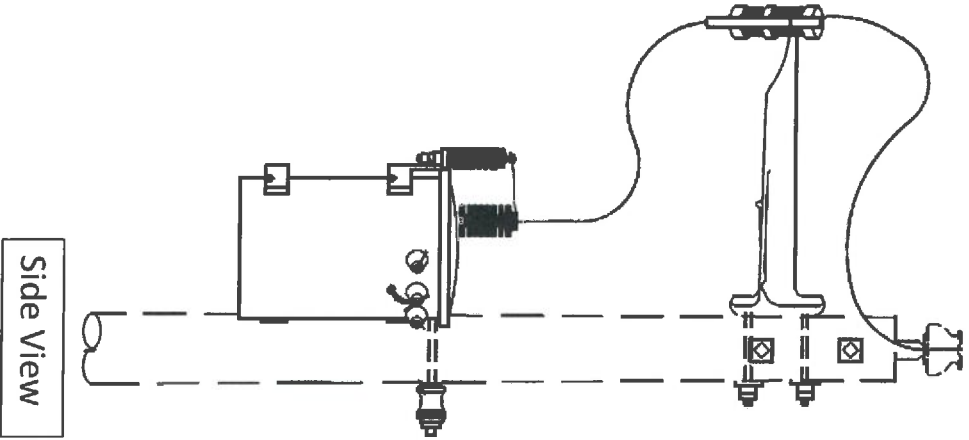
Source

Normally Closed
Solid Blade
Disconnect

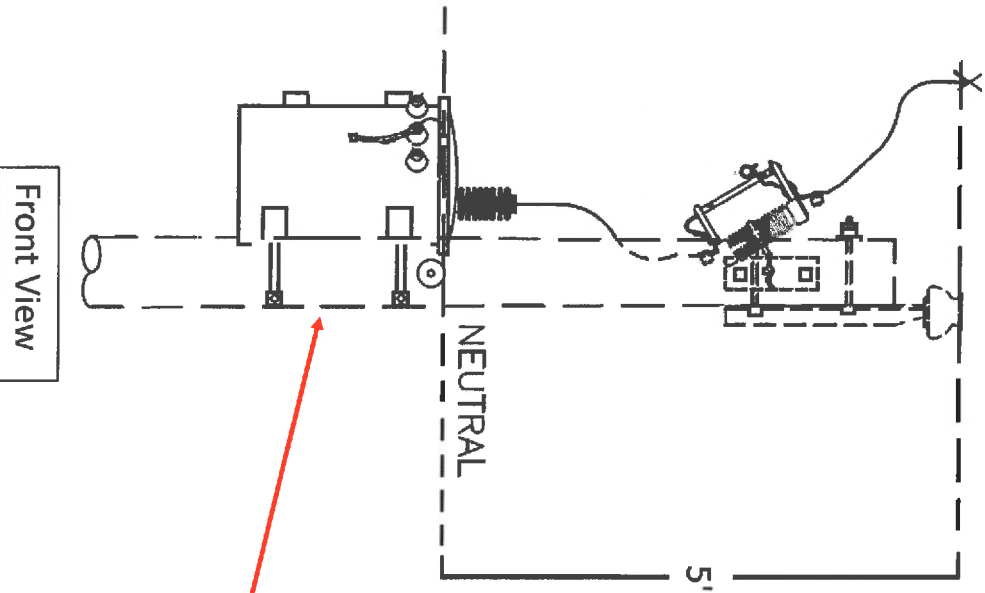
OCR Bypass

Load

Approximately 20' between structures



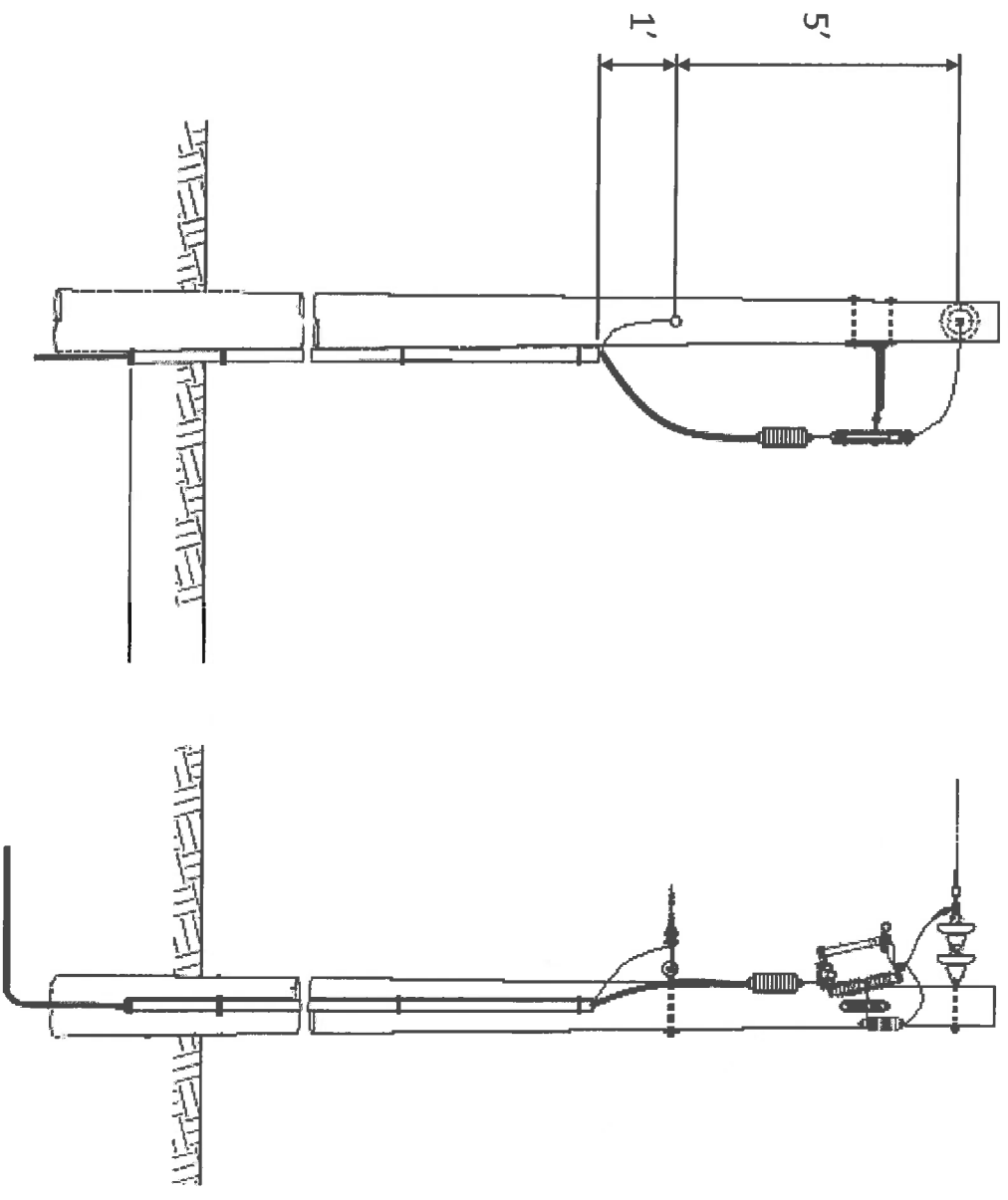
Side View



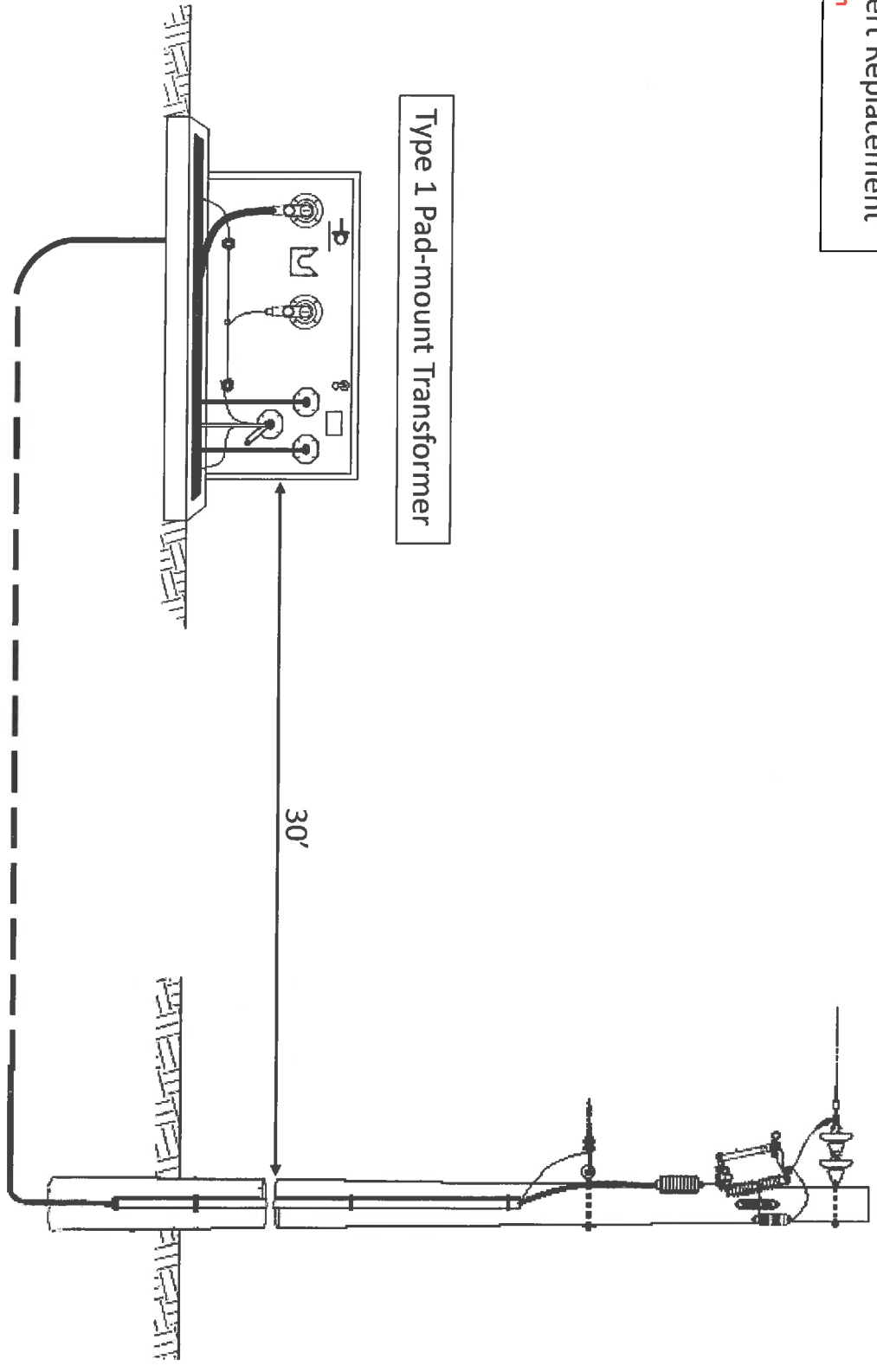
Front View

The mannequin's fall restraint device will be hanging between the transformer hangers with it's body in the opposite quarter of the transformer.

Pad-mount Transformer Elbow
& Bushing Insert Replacement
Journeyman Division



**Pad-mount Transformer Elbow
& Bushing Insert Replacement**
Journeyman Division



Type 1 Pad-mount Transformer

**DBL Crossarm Lift,
Knots, & Ties**
Apprentice/Journeyman Division

